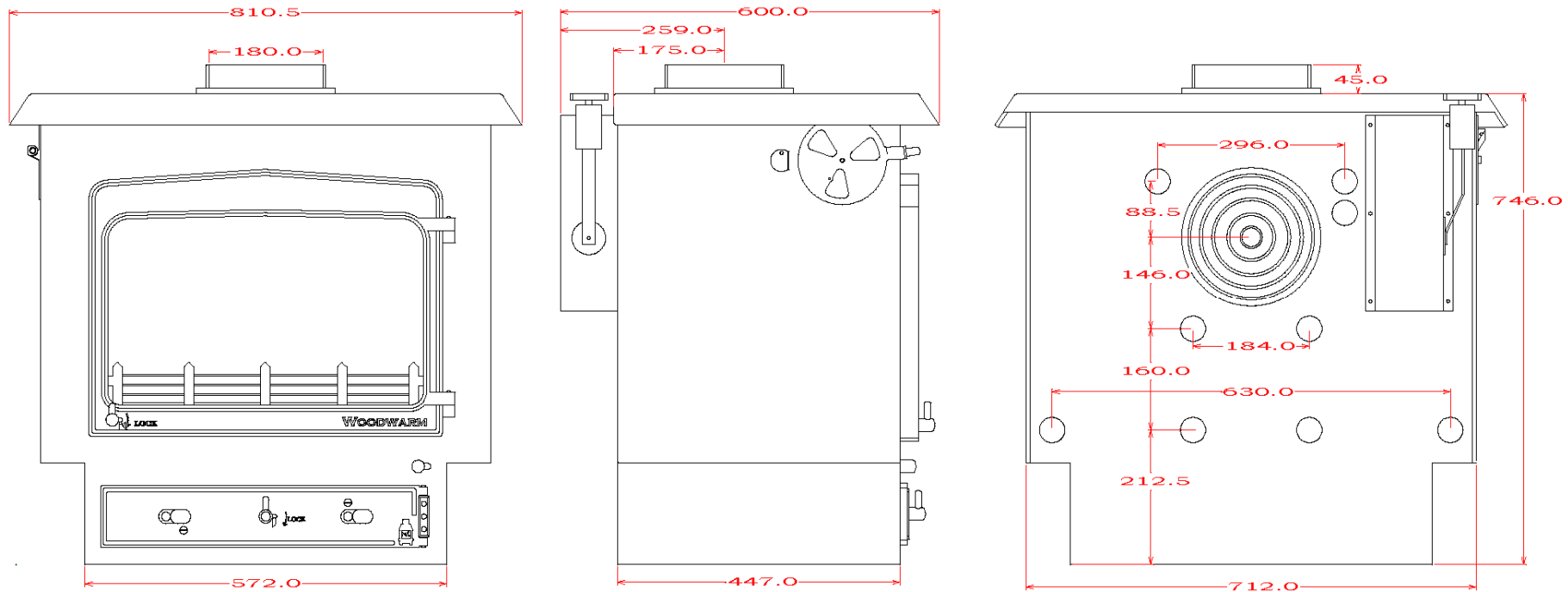


WOODWARM STOVES

Fireview 20kw *Multi Fuel*

Flat Top



Maximum Log Length:- 635mm

Efficiency:- 73.6% Wood – 69.3% Ancit

Boilers in Range:- 8,000 btu's (17.5kw Heat left to room) 20,000 btu's (13.9kw Heat left to room) 27,000 btu's (11.0kw Heat left to room) 53,000 btu's (7.0kw Heat left to room)

Max Boiler Available with Roof Boiler:- 70,000 btu's (3.7kw Heat left to room)