

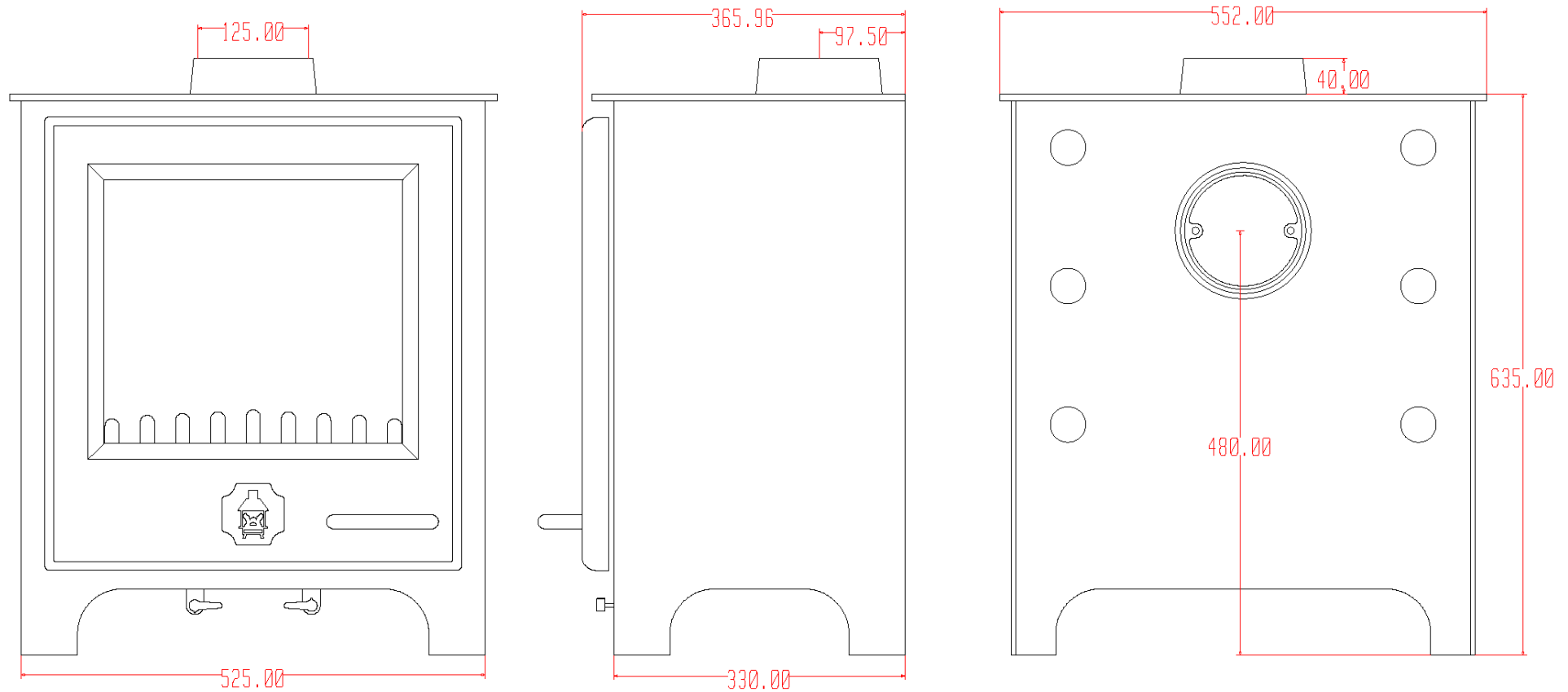
WOODWARM STOVES

Phoenix Fire Blaze 6kW *Multi Fuel* Profiled Flat Top

CE Approved ✓

Approved for use in smokeless zones ✓

Approved for use with 5 Inch Flue ✓



Maximum Log Length:- 440mm

Efficiency Wood 82.9% - Solid Fuel 75.6% - Nominal Output: 6kW

Co Emission @ 13%O₂: Wood 0.50% - Solid Fuel 0.16%

Minimum Clearances From Combustibles: 800mm to Rear, 400mm to Side, 400mm Above.

Boilers Available: 10,000 btu`s Half Baffle - 20,000 btu`s Full Split Baffles.